

Flashtransfer choice

Multi format film transfer system

up to 5.1k



Hardware:

- ♦ Standard film formats: N8; S8; 9,5 mm (Pathé); 16 mm (incl. S16)
- ♦ Exchangeable sound heads com opt, com mag N8/S8/16
- ♦ Pan and zoom adjustments, manual
- ♦ Picture framing, manual
- ♦ Variable tension, manual
- ♦ Flashing LED light source with adjustable color
- ♦ Optical scratch concealment
- ♦ Image sensor: IT-CCD 2336 x 1752 or 5120 x 3840 visible pixels
- ♦ Scanning speed: 5 fps – 25 fps
TURBO mode option for 50 fps 720p50
- ♦ Max preview speed (with stable picture):
300 fps (16 mm) – 600 fps (8 mm)
- ♦ Continuous motion capstan drive system
- ♦ Laser registered film transport
- ♦ Sprocket- free film path
- ♦ Motor driven focusing
- ♦ Shrinkage < 1% dynamically
- ♦ Low power consumption (75 W)
- ♦ Dimensions (LxWxH) 422 x 660 x 800 [mm]
 16.65 x 25.99 x 31.50 [Inch]

Optional:

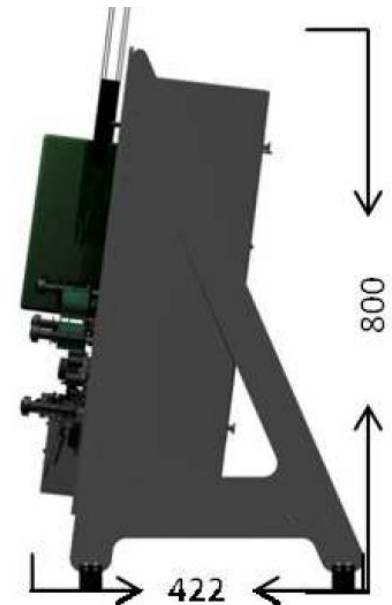
- ♦ PTRs
- ♦ Film formats: 17,5 mm; 28 mm, 35 mm
- ♦ Frame accurate auto light
- ♦ Shrinkage < 4% dynamically
- ♦ Real time monitoring
- ♦ Software option: automatic scene detection,
ROI picture stabilisation, FPN correction

Workstation:

- ♦ Eight Core workstation, (other core numbers on request)
- ♦ 16 GByte RAM
- ♦ nVidia GTX 980 graphic card
- ♦ 14 TB internal hard disk storage (stripe set 7x 2 TB hard disk)
(other storage size on request)
- ♦ Machine Interface Card

Software flashsuite 2

- ♦ Image preview / post-processing preview
- ♦ Film optimized image processing
- ♦ Mirroring
- ♦ Primary color correction (Black / Gamma / Light)
- ♦ Negative / black & white
- ♦ Saturation
- ♦ Sharpening filter
- ♦ Anamorphic correction
- ♦ Cropping, masking, resizing
- ♦ Automatic sensor calibration
- ♦ SDI image output (SD, HD, 2K)
- ♦ Luminance and RGB histogram
- ♦ Waveform monitor and vector scope with line selector
- ♦ Focus finder / autofocus
- ♦ Audio equalizer and routing
- ♦ Support for AVID® Artist Color control surface
- ♦ Compressed and uncompressed file formats:
 - ♦ 10/12/16 bit LOG/LIN DPX ♦ ProRes 422 HQ
 - ♦ 16 bit TIFF ♦ ProRes 4444 HQ
 - ♦ Motion-JPEG ♦ DNXHD
 - ♦ RAW VIDEO ♦ MXF



technical changes reserved